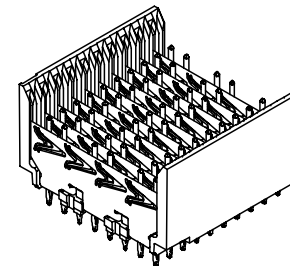
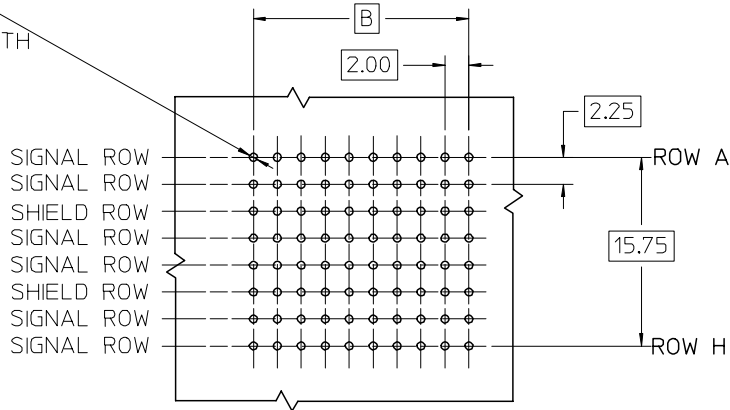


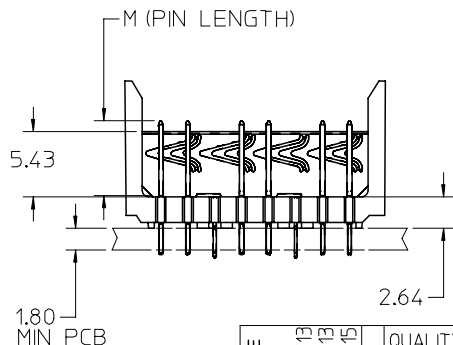
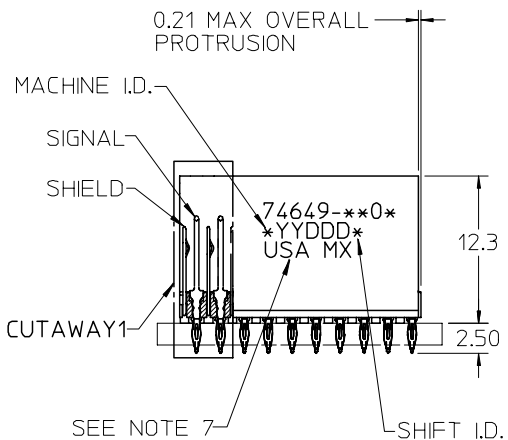
$\varnothing 0.66$  DRILL  
 $\varnothing 0.56 \pm 0.05$  PTH  
 $\varnothing 1.00$  PAD  
 $\varnothing 0.10$



**BACKPLANE HOLE PATTERN  
RECOMMENDED DIMENSION**

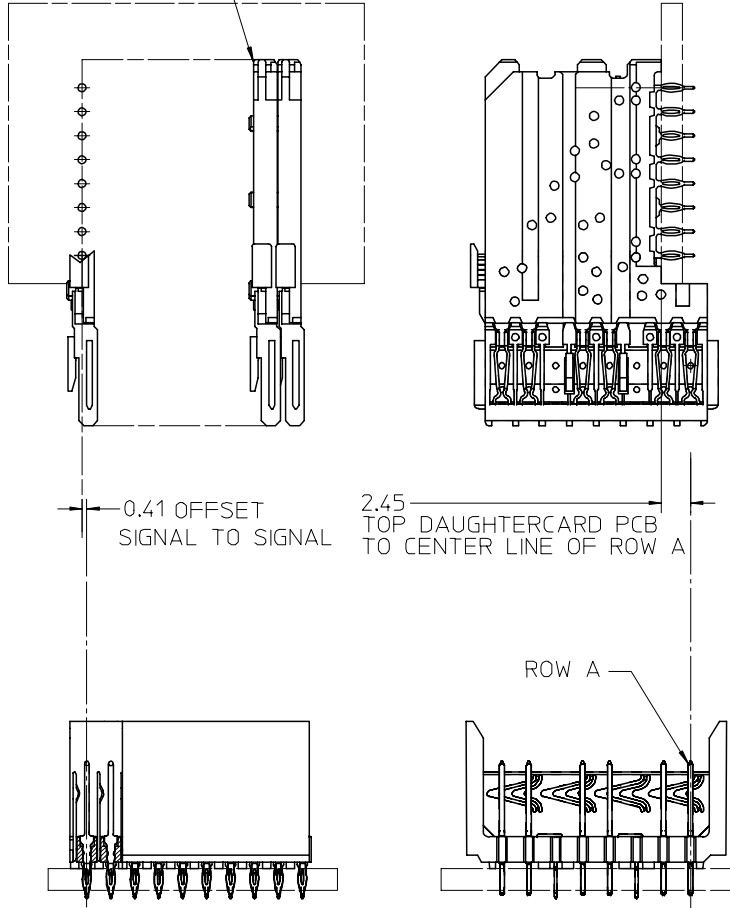
NOTES:

- MATERIAL:  
HOUSING -LIQUID CRYSTAL POLYMER (LCP), GLASS-FILLED. UL 94V-0. COLOR BLACK. SIGNAL PIN & SHIELD -HIGH PERFORMANCE COPPER ALLOY.
- FINISHES:  
CONTACT AREA: SELECTIVE GOLD (Au)  
PCB TAILS: SELECTIVE TIN/LEAD (Sn/Pb) OR SELECTIVE MATTE TIN (Sn) NICKEL (Ni) OVERALL.
- THIS PART CONFORMS TO MOLEX PRODUCT SPECIFICATION PS-74031-999.
- FOR MIXED CONTACT MATING LENGTHS CONSULT MOLEX FOR AVAILABILITY.
- FOR SPECIFIC PART NUMBERS AND MATING INFORMATION REFER TO SHEET 2.
- PACKAGE PER PK-74060-003.
- EITHER MARK PART NUMBER AND DATE CODE APPROXIMATELY WHERE SHOWN OR PLACE LABEL ON THE TUBE.



REVISED - PLATING NOTE EC NO: UCP2006-0051 DRW:K MULVEY 2005/07/13 CHKD: 2005/07/13 APPR: SREED 2005/07/15	QUALITY SYMBOLS ▽ = 0 ▽ = 0	GENERAL TOLERANCES (UNLESS SPECIFIED)		SCALE 2.5:1	DESIGN UNITS METRIC	THIRD ANGLE PROJECTION	REVISE ON CAD ONLY	
		4 PLACES ± --- ± ---	3 PLACES ± --- ± ---	DIMENSION STYLE MM ONLY		TITLE HSD SALES ASSEMBLY 8 ROW ADVANCED MATE OPEN END BACKPLANE		
		2 PLACES ± --- ± ---	1 PLACE ± --- ± ---	DRAWN BY MQWANG	DATE 2001/05/21	MOLEX INCORPORATED		
		ANGULAR ±1/2°		CHECKED BY JLAURX	DATE 2001/05/25	MATERIAL NO. SEE SHEET 2	DOCUMENT NO. SD-74649-003	SHEET NO. 1 OF 2
DRAFT WHERE APPLICABLE MUST REMAIN WITHIN DIMENSIONS		THIS DRAWING CONTAINS INFORMATION THAT IS PROPRIETARY TO MOLEX INCORPORATED AND SHOULD NOT BE USED WITHOUT WRITTEN PERMISSION						

DAUGHTERCARD  
CONNECTOR SIDE



MATERIAL NUMBER ASSIGNMENT

- 74649-XXYY  
 — SEE TABLE  
 11 = 10 COLUMN TIN/LEAD  
 26 = 25 COLUMN TIN/LEAD  
 91 = 10 COLUMN MATTE TIN  
 86 = 25 COLUMN MATTE TIN

PART NUMBER	COLUMN	NUMBER OF SIGNAL PINS	NUMBER OF SHIELDS	A	B	M	Au (um) MIN THICKNESS	Sn (um) THICKNESS
74649-*101	10	60	10	20.00	18.00	4.75	0.76	0.76-1.52
74649-*106							1.27	
74649-*601	25	150	25	50.00	48.00		0.76	
74649-*606							1.27	
74649-*102	10	60	10	20.00	18.00	6.25	0.76	
74649-*107							1.27	
74649-*602	25	150	25	50.00	48.00		0.76	
74649-*607							1.27	
74649-*103	10	60	10	20.00	18.00	4.25	0.76	
74649-*108							1.27	
74649-*603	25	150	25	50.00	48.00		0.76	
74649-*608							1.27	
74649-*104	10	60	10	20.00	18.00	5.15	0.76	
74649-*109							1.27	
74649-*604	25	150	25	50.00	48.00		0.76	
74649-*609							1.27	

SEE SHEET 1 EC NO: UCP2006-0051 DRW: KMULVEY 2005/07/13 CHKD: 2005/07/13 APPR: SREED 2005/07/15	QUALITY SYMBOLS	GENERAL TOLERANCES (UNLESS SPECIFIED)	SCALE 2.5:1	DESIGN UNITS METRIC	THIRD ANGLE PROJECTION	REVISE ON CAD ONLY															
	▽ = 0	<table border="1"> <tr> <th></th> <th>mm</th> <th>INCH</th> </tr> <tr> <td>4 PLACES</td> <td>± ---</td> <td>± ---</td> </tr> <tr> <td>3 PLACES</td> <td>± ---</td> <td>± ---</td> </tr> <tr> <td>2 PLACES</td> <td>± ---</td> <td>± ---</td> </tr> <tr> <td>1 PLACE</td> <td>± ---</td> <td>± ---</td> </tr> </table>		mm	INCH	4 PLACES	± ---	± ---	3 PLACES	± ---	± ---	2 PLACES	± ---	± ---	1 PLACE	± ---	± ---	DIMENSION STYLE MM ONLY	TITLE	HSD SALES ASSEMBLY 8 ROW ADVANCED MATE OPEN END BACKPLANE	
		mm	INCH																		
	4 PLACES	± ---	± ---																		
3 PLACES	± ---	± ---																			
2 PLACES	± ---	± ---																			
1 PLACE	± ---	± ---																			
∇ = 0	ANGULAR ±1/2°	DRAFT WHERE APPLICABLE	DRAWN BY: MQWANG DATE: 2001/05/21 CHECKED BY: JLAURX DATE: 2001/05/25	MOLEX INCORPORATED MATERIAL NO. SEE TABLE DOCUMENT NO. SD-74649-003 SHEET NO. 2 OF 2																	
REV	DESCRIPTION	MUST REMAIN WITHIN DIMENSIONS	THIS DRAWING CONTAINS INFORMATION THAT IS PROPRIETARY TO MOLEX INCORPORATED AND SHOULD NOT BE USED WITHOUT WRITTEN PERMISSION																		